

User Guide

INSIGNIA™

NS-HDRAD

HD Radio™ Tabletop

HD Radio®

NS-HDRAD HD Radio™ Tabletop

Contents

Introduction	2
Safety information	3
Features	4
Setting up your HD Radio Tabletop	8
Using your HD Radio Tabletop	9
Troubleshooting	11
Specifications	12
Legal notices	12
90-day limited warranty	15

Introduction

Congratulations on your purchase of a high-quality Insignia product. Your NS-HDRAD represents the state of the art in HD Radio Technology and is designed for reliable and trouble-free performance.



Safety information



This symbol indicates that dangerous voltage constituting a risk of electric shock is present within your radio. This label is located on the back of your radio.



This symbol indicates that there are important operating and maintenance instructions in the literature accompanying your radio.

Important safety instructions

- 1 Read these instructions.
- 2 Keep these instructions.
- 3 Heed all warnings.
- 4 Follow all instructions.
- 5 Do not use this apparatus near water.
- 6 Clean only with a dry cloth.
- 7 Do not block any ventilation openings. Install in accordance with the manufacturer's instructions.
- 8 Do not install near any heat sources such as radiators, heat registers, stoves, or other apparatus (including amplifiers) that produce heat.
- 9 Do not defeat the safety purpose of the polarized or grounding-type plug. A polarized plug has two blades with one wider than the other. A grounding type plug has two blades and a third grounding prong. The wide blade or the third prong are provided for your safety. If the provided plug does not fit into your outlet, consult an electrician for replacement of the obsolete outlet.
- 10 Protect the power cord from being walked on or pinched particularly at plugs, convenience receptacles, and the point where they exit from the apparatus.
- 11 Only use attachments/accessories specified by the manufacturer.
- 12 Unplug this apparatus during lightning storms or when unused for long periods of time.

- 13** Refer all servicing to qualified service personnel. Servicing is required when the apparatus has been damaged in any way, such as power-supply cord or plug is damaged, liquid has been spilled or objects have fallen into the apparatus, the apparatus has been exposed to rain or moisture, does not operate normally, or has been dropped.
- 14** To reduce the risk of fire or electric shock, do not expose this device to rain, moisture, dripping, or splashing, and no objects filled with liquids, such as vases, shall be placed on it.
- 15** An apparatus with a three-prong, grounding-type plug is a Class I apparatus, which needs to be grounded to prevent possible electric shock. Make sure that you connect this Class I device to a grounding-type, three-prong outlet.
- 16** The wall plug is the disconnecting device. The plug must remain readily operable.
- 17** Batteries should not be exposed to excessive heat such as sunshine, fire, or the like.

Warning

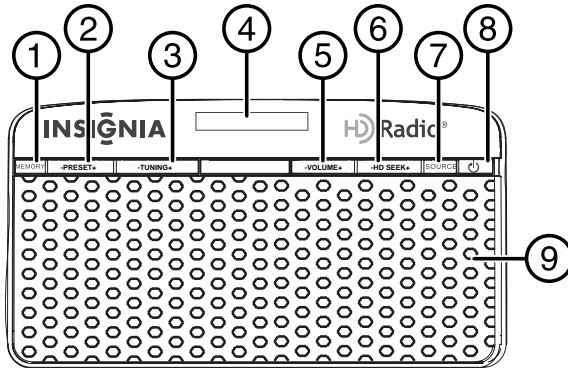
Danger of explosion if battery is incorrectly replaced. Replace only with the same or equivalent type.

Features

Package contents

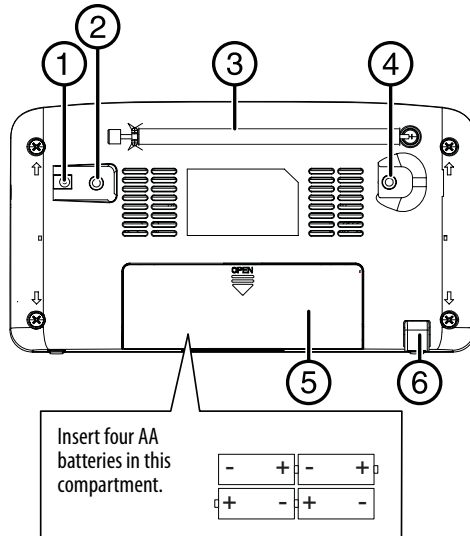
- HD Radio Tabletop
- AC Power Adapter
- *Quick Setup Guide*
- *User Guide*

Front View



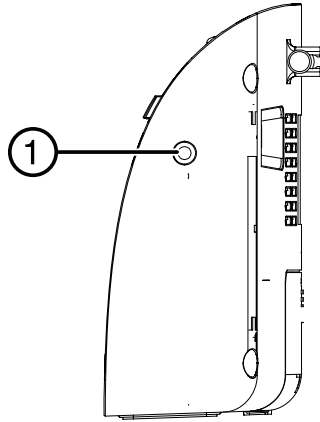
#	Component	Description
1	MEMORY button	Press to save preset FM radio stations. After pressing the MEMORY button, press PRESET+ or PRESET- to set the preset number. You can save up to 20 presets.
2	-PRESET+ button	Press to tune the FM radio to a preset station.
3	-TUNING+ buttons	Press to go to a lower or higher radio frequency. Press for more than one second to auto scan for the next lower or higher radio station.
4	LCD display	Displays mode and frequency.
5	-VOLUME+ button	Press to raise or lower the volume.
6	-HD SEEK+ button	Press to go to the next or previous HD Radio station or an HD Radio multicast station.
7	SOURCE button	Press repeatedly to toggle the mode between Tuner and AUX .
8	⏻ (power) button	Press to turn on your HD Radio Tabletop or put it into power off mode.
9	Speakers	Provides sound from your radio.

Back View



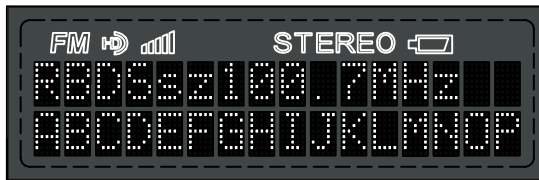
#	Component	Description
1	DC IN jack	Connect the AC Adapter to this jack.
2	AUX IN jack	Connect an external sound source, such as an MP3 player, to this connector.
3	FM Antenna	Raise to improve the FM radio signal.
4	Pigtail antenna socket (3.5mm)	Plug a wire antenna into this socket. The pigtail antenna (located behind the battery compartment door) is optional and is to be used to improve reception when the signal is weak. The FM antenna is disabled when the pigtail antenna is connected.
5	Battery compartment door	Open to install four AA batteries in the battery compartment. Be sure to observe the correct battery polarity as shown in the compartment.
6	Foot	Supports the tabletop radio.

Side View



#	Component	Description
1	Headphone jack	Connect a pair of headphones to this connector with a 3.5 mm plug.

LCD Display



Understanding radio modes

Your radio has three radio modes: Analog (FM), HD Radio digital, and RBDS (Radio Broadcast Data System). The three radio modes are automatically changed when the receiving frequency is changed.

Analog (FM) mode

Analog (FM) mode is the standard mode that has been in use for many years. The FM radio signal is an analog signal. When receiving an FM signal, the "FM" icon appears on the display.

HD Radio mode

HD Radio mode is the new digital mode for FM. Many HD Radio stations have several sub-channels called “multicast channels.” When receiving an HD Radio signal, the “HD” icon and the channel number appear on the display.

RBDS mode

RDS (Radio Data System) mode provides additional functionality to FM radio reception by transmitting encoded analog information with the FM radio signal. This signal is decoded by an RDS receiver and can provide a range of informational features including the station’s name. The RDS text is usually centered. When the text fills the display, it begins scrolling. When receiving an RBDS signal, the “RBDS” icon appears on the display.

Setting up your HD Radio Tabletop

Powering your radio

Your HD Radio Tabletop can be powered by either the included AC adapter, or by using four AA sized alkaline batteries. Your tabletop radio only operates on batteries if the AC adapter is unplugged.

Installing the batteries

To install the batteries:

- 1 Open the battery compartment on the back of your radio.
- 2 Place four AA size batteries (alkaline) in the battery compartment. Make sure to match the + and - on the battery to the + and - signs in the battery compartment.
- 3 Close the battery compartment until it clicks into place.

Caution

- When you replace the batteries, make sure that you use batteries of the same type and voltage. The batteries are AA size alkaline.
- All batteries should be replaced at the same time.
- Dispose of used batteries by following your local hazardous waste regulations.
- If you don’t plan to use your radio for an extended period of time, remove the batteries to prevent damage.

Note

The low battery icon flashes when the batteries reach 20% of capacity.

Connecting the AC adapter


To connect the AC adapter:

- 1 Plug the small connector at the end of the power cord into the DC IN jack on the back of your radio.
- 2 Plug the AC adapter into a 120/240V, 50/60Hz power outlet.

Using your HD Radio Tabletop

Turning on your radio

To turn on your radio:

- Press  (power) on the front of your radio.

Selecting the mode (source)

To select the mode (sound source):

- Press **SOURCE** repeatedly on the front of your radio to toggle between **Tuner** and **AUX**. The source you select appears on the display.

Volume control

After you select the mode you want, press **VOLUME+** or **-** to set the volume to a comfortable level.

Using Tuner mode

Tuner mode is the default mode on your radio and is selected when you turn your radio on.

To tune to a station:

- 1 Press the **TUNING+/-** buttons on the front of your radio momentarily to tune to FM radio up or down. Press and hold the buttons for more than one second to search for the next or previous station.
- 2 Press **PRESET+/-** on the front of your radio to go to the next higher or lower preset station.

Storing preset stations in memory

Your HD Radio Tabletop can store 20 FM stations in memory. When you store a station in memory, you can tune to the stored (preset) station by repeatedly pressing **PRESET+** or **PRESET-** on the front of your radio.

To store stations in memory:

- 1 Press **SOURCE** on the top of your radio to select **Tuner** mode.
- 2 Press the **TUNING+/-** buttons on the front of your radio to tune to the station you want to store.

- 3 Press **MEMORY** once to store the station (“PRESET 01” shows on the display and “01” flashes on the display).
- 4 Press **PRESET+/-** repeatedly until the display shows the preset number you want to save.
- 5 Press **MEMORY** again to complete the operation.

Tuning to a preset station

To tune to a preset station:

- Press **PRESET+/-** on the front of your radio to go to the next higher or lower preset station.

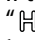
Using HD Radio Technology

Using HD Seek

To seek HD Radio stations:

- In tuner mode, press the **HD SEEK+** or **HD SEEK-** button to seek the next or previous HD Radio station or HD Radio multicast station.

Listening to HD Radio broadcasts

If the station you are listening to is broadcasting a digital HD Radio signal, “”, “FM,” a signal strength indicator, and tuning frequency are shown together. The station information is displayed on the top line of the display, and the station call letters, the artist’s name, and the name of the song are shown on the bottom line of the display. Anything that can’t be displayed on one line crawls across the display.

If several HD Radio stations are available on a multicast station, “HD-1” is displayed (and remains on the display) with the station information on the top line of the display. For example, “HD-1 XXXXXXXXXXXXXXXX”, where XXXXXXXXXXXXXXXX is the station information. The station details are shown on the bottom line of the display.

- To tune the radio to next or previous HD Radio station, press **TUNING+/-** - for less than one second. To auto tune to the next or previous HD Radio station, press **TUNING+/-** for more than one second.
- To tune to additional HD Radio stations on the multicast station, press **TUNING+/-** to select HD-2, HD-3, and so on. The radio tunes to the next higher frequency when the last HD Radio multicast station is reached. To return to the first multicast station (HD-1), press **TUNING-**.

Playing music from an external sound source

To play music from an external sound source:

- 1 Connect an external sound source, such as an MP3 player, by plugging an audio cable with a 3.5 mm plug (not included) into the **AUX IN** jack on the back of your radio.
- 2 Press **SOURCE** repeatedly on the top of your radio to select **AUX**. "AUX" appears on the display.
- 3 Start playback on the external device.
- 4 Press **VOLUME+** or **-** to adjust the volume.
- 5 Control playback using the controls on the external device.

Using headphones

Use headphones with a 16-32 Ohm impedance and a 3.5mm connector in the Headphone jack. Use corresponding adaptors (available at your local electronics store) if you have a different connector. The speakers are automatically switched off when the headphones are being used.

Caution

Listening to music at high volume for long periods of time can damage your ears.

Troubleshooting

Problem	Solution
My radio won't turn on.	<ul style="list-style-type: none"> • Make sure that the power cord is fully inserted in the power outlet and firmly connected to the DC IN jack on the back. • If running on batteries, make sure the batteries are not dead.
No sound.	<ul style="list-style-type: none"> • Make sure that power is connected and your radio is turned on. • Make sure that the volume is not extremely low. • Make sure your external device is turned on and is playing. • Make sure the volume on your external device is turned up and is not set to mute.
My radio will not play in FM mode.	<ul style="list-style-type: none"> • Make sure that your radio is set to FM mode. • Make sure that the radio is correctly tuned to an FM station. • Make sure the FM antenna is extended.
FM radio reception sounds distorted or fuzzy	<ul style="list-style-type: none"> • Extend your antenna or move your radio closer to a window to improve reception.
The HD Radio™ sound keeps switching between Digital and Analog audio. HD Radio™ indicator keeps turning on and off.	<ul style="list-style-type: none"> • You may be out of range of the HD Radio stations area. Extend your antenna or move your radio closer to a window to improve reception.
My radio won't control my MP3 player.	<ul style="list-style-type: none"> • You need to use the controls on your MP3 player to control playback.

Maintaining

- To prevent fire or shock hazard, disconnect your radio from the AC power source when cleaning.
- The finish on your radio may be cleaned with a dust cloth and cared for as other furniture, Use caution when cleaning and wiping the plastic parts.
- If the front panel becomes dirty or smudged with fingerprints it may be cleaned with a soft cloth slightly dampened with a mild soap and water solution. Never use abrasive cloths or polishes as these will damage the finish of your radio.

Caution

- Never allow water or other liquids to get inside your radio.
- Modifying or tampering with the internal components of your radio can cause a malfunction and might invalidate its warranty. If your radio is not performing as it should, take it to the local dealer for assistance.

Specifications

General	
Power requirement	DC 5.9 V or four AA size alkaline batteries
Dimensions (WxHxD)	8.23 x 4.45 x 2.13 in. (209 x 113 x 54 mm)
Weight	1.32 lbs. (0.6 kg)
Receiver section	
Receiving band	FM
Tuning range	87.7 - 107.9 MHz
Audio section	
Power output	2 x 1.5 Watts per channel
Headphone impedance	4 ohms

Legal notices

FCC Part 15

This device complies with Part 15 of the FCC Rules. Operation of this product is subject to the following two conditions: (1) this device may not cause harmful interference, and (2) this device must accept any interference received, including interference that may cause undesired operation.

This equipment has been tested and found to comply within the limits for a class B digital device, pursuant to Part 15 of the FCC Rules. These limits are designed to provide reasonable protection against harmful interference in a residential installation. This equipment generates, uses, and can radiate radio frequency energy and, if not installed and used in accordance with the instructions, may cause harmful interference to radio communications. However, there is no guarantee that interference will not occur in a particular installation. If this equipment does cause harmful interference to radio or television reception, which can be determined by turning the equipment off and on, the user is encouraged to try to correct the interference by one or more of the following measures:

- Reorient or relocate the receiving antenna.
- Increase the separation between the equipment and receiver.
- Connect the equipment into an outlet on a circuit different from that to which the receiver is connected.
- Consult the dealer or an experienced technician for help.

FCC warning

Changes or modifications not expressly approved by the party responsible for compliance with the FCC Rules could void the user's authority to operate this equipment.

Canada ICES-003 statement

This Class B digital apparatus complies with Canadian ICES-003.

90-day limited warranty

Insignia Products ("Insignia") warrants to you, the original purchaser of this new **NS-HDRAD** ("Product"), that the Product shall be free of defects in the original manufacture of the material or workmanship for a period of 90 days from the date of your purchase of the Product ("Warranty Period"). This Product must be purchased from an authorized dealer of Insignia brand products and packaged with this warranty statement. This warranty does not cover refurbished Product. If you notify Insignia during the Warranty Period of a defect covered by this warranty that requires service, terms of this warranty apply.

How long does the coverage last?

The Warranty Period lasts for 90 days from the date you purchased the Product. The purchase date is printed on the receipt you received with the Product.

What does this warranty cover?

During the Warranty Period, if the original manufacture of the material or workmanship of the Product is determined to be defective by an authorized Insignia repair center or store personnel, Insignia will (at its sole option): (1) repair the Product with new or rebuilt parts; or (2) replace the Product at no charge with new or rebuilt comparable products or parts. Products and parts replaced under this warranty become the property of Insignia and are not returned to you. If service of Products or parts are required after the Warranty Period expires, you must pay all labor and parts charges. This warranty lasts as long as you own your Insignia Product during the Warranty Period. Warranty coverage terminates if you sell or otherwise transfer the Product.

How to obtain warranty service

If you purchased the Product at a retail store location, take your original receipt and the Product to the store you purchased it from. Make sure that you place the Product in its original packaging or packaging that provides the same amount of protection as the original packaging. If you purchased the Product from an online web site, mail your original receipt and the Product to the address listed on the web site. Make sure that you put the Product in its original packaging or packaging that provides the same amount of protection as the original packaging.

To obtain in-home warranty service for a television with a screen 25 inches or larger, call 1-888-BESTBUY. Call agents will diagnose and correct the issue over the phone or will have an Insignia-approved repair person dispatched to your home.

Where is the warranty valid?

This warranty is valid only to the original purchaser of the product in the United States, Canada, and Mexico.

What does the warranty not cover?

This warranty does not cover:

- Customer instruction
- Installation
- Set up adjustments
- Cosmetic damage
- Damage due to acts of God, such as lightning strikes
- Accident
- Misuse
- Abuse
- Negligence
- Commercial use
- Modification of any part of the Product, including the antenna
- Plasma display panel damaged by static (non-moving) images applied for lengthy periods (burn-in).

This warranty also does not cover:

- Damage due to incorrect operation or maintenance
- Connection to an incorrect voltage supply
- Attempted repair by anyone other than a facility authorized by Insignia to service the Product
- Products sold as is or with all faults
- Consumables, such as fuses or batteries
- Products where the factory applied serial number has been altered or removed

REPAIR REPLACEMENT AS PROVIDED UNDER THIS WARRANTY IS YOUR EXCLUSIVE REMEDY. INSIGNIA SHALL NOT BE LIABLE FOR ANY INCIDENTAL OR CONSEQUENTIAL DAMAGES FOR THE BREACH OF ANY EXPRESS OR IMPLIED WARRANTY ON THIS PRODUCT, INCLUDING, BUT NOT LIMITED TO, LOST DATA, LOSS OF USE OF YOUR PRODUCT, LOST BUSINESS OR LOST PROFITS. INSIGNIA PRODUCTS MAKES NO OTHER EXPRESS WARRANTIES WITH RESPECT TO THE PRODUCT, ALL EXPRESS AND IMPLIED WARRANTIES FOR THE PRODUCT, INCLUDING, BUT NOT LIMITED TO, ANY IMPLIED WARRANTIES OF AND CONDITIONS OF MERCHANTABILITY AND FITNESS FOR A PARTICULAR PURPOSE, ARE LIMITED IN DURATION TO THE WARRANTY PERIOD SET FORTH ABOVE AND NO WARRANTIES, WHETHER EXPRESS OR IMPLIED, WILL APPLY AFTER THE WARRANTY PERIOD. SOME STATES, PROVINCES AND JURISDICTIONS DO NOT ALLOW LIMITATIONS ON HOW LONG AN IMPLIED WARRANTY LASTS, SO THE ABOVE LIMITATION MAY NOT APPLY TO YOU. THIS WARRANTY GIVES YOU SPECIFIC LEGAL RIGHTS, AND YOU MAY ALSO HAVE OTHER RIGHTS, WHICH VARY FROM STATE TO STATE OR PROVINCE TO PROVINCE.

Contact Insignia:

For customer service please call 1-877-467-4289

www.insigniaproducts.com

Distributed by Best Buy Purchasing, LLC

7601 Penn Avenue South, Richfield, Minnesota, U.S.A. 55423-3645

© 2012 BBY Solutions, Inc.

All rights reserved. INSIGNIA is a trademark of BBY Solutions, Inc. Registered in some countries. All other products and brand names are trademarks of their respective owners.

HD Radio™ Technology Manufactured Under License From iBiquity Digital Corp. U.S. and Foreign Patents. HD Radio™ and the HD, HD Radio, and "Arc" logos are proprietary trademarks of iBiquity Digital Corp.



www.insigniaproducts.com (877) 467-4289

Distributed by Best Buy Purchasing, LLC
7601 Penn Avenue South, Richfield, MN 55423-3645 USA
© 2012 BBY Solutions, Inc.

All rights reserved. INSIGNIA is a trademark of BBY Solutions, Inc. Registered in some countries.
All other products and brand names are trademarks of their respective owners.

HD Radio™ Technology Manufactured Under License From iBiquity Digital Corp. U.S. and Foreign
Patents. HD Radio™ and the HD, HD Radio, and "Arc" logos are proprietary trademarks of iBiquity
Digital Corp.

ENGLISH
12-0133